

ISO/IEC JTC 1/SC 17
Cards and personal identification
Secretariat: BSI (United Kingdom)

Document type: Disposition of Comments Report

Title: Disposition of comments: FCD ISO/IEC 14443-3:2010/FDAM4 — Identification cards - Contactless integrated circuit(s) cards — Proximity cards — Part 3: Initialization and anticollision — AMENDMENT 4: Electromagnetic disturbance handling and single size UID

Status: Disposition of FPDAM comments, N 4042.

BACKWARD POINTER: N3720, N 3721, N 3823, N 3847, N 3848, N 3850, N 3893, N 3933, N 3934 and N 4042.

Date of document: 2010-12-23

Expected action: INFO

Email of secretary: chris.starr@ukpayments.org.uk

Committee URL: <http://isotc.iso.org/livelink/livelink/open/jtc1sc17>

ISO/IEC JTC1/SC17/WG8
Contactless Integrated circuit(s) cards

ISO/IEC JTC1/SC17/WG8 **N 1749**
ISO/IEC JTC1/SC17 N 3xxx

**Disposition of comments on:
FCD ISO/IEC 14443-3:2010/FDAM4 — Identification cards —
Contactless integrated circuit(s) cards — Proximity cards — Part 3:
Initialization and anticollision — AMENDMENT 4: Electromagnetic
disturbance handling and single size UID**

Reference documents:

Ballot is in SC17 N 3934 = WG8 N 1707

Ballot Result is in SC17 N 4042 = WG8 N 1728

Project Editor:

Reinhard Meindl, Austria

The following pages provide the details of the comments and detailed information about their resolutions, how WG8 had resolved each received comment from the FCD Ballot (FPDAM) at the WG8 meeting, held in Takamatsu, Japan, on 2010-09-29/10-01.

WG8 decided by WG8 Resolution 48.07 (contained in WG8 N 1737 = SC17 N 4xxx) to issue the new text of 14443-3/AM4, i.e. WG8 N 1748 R1, for FDIS (FDAM) balloting.

Template for comments and secretariat observations

Date: 2010-07-13

Document: SC17 N 3934

ISO/IEC 14443-3/AMD4 FPDAM (EMD)

1	2	(3)	4	5	(6)	(7)
MB ¹	Clause No./ Subclause No./ Annex (e.g. 3.1)	Paragraph/ Figure/Table/ Note (e.g. Table 1)	Type of comment ²	Comment (justification for change) by the MB	Proposed change by the MB	Secretariat observations on each comment submitted
JP1	Whole documents		GE	It is not clear at FCD ballot stage whether there are any known patents regarding this specification. Even though ISO/IEC takes no position concerning the evidence, validity and scope of the patents, the patents known at this time should be disclosed by the proposer(s) of EMD.	Disclose the patent list regarding this proposal.	Resolved by Inquiry via WG8 resolution
JP2	Cover	Title	ed	For consistency.	Replace "Identification cards — Contactless integrated circuit(s) cards -Proximity cards — Part 3: Initialization and anticollision" by "Identification cards — Contactless integrated circuit cards - Proximity cards — Part 3: Initialization and anticollision".	accepted
JP3	6.2.1.1 and 7.1.6	Figures and 17	1 ED	For better understanding the relation between (FDT/TR0) and ($t_{E,PICC}$ and $t_{E,PCD}$).	Update the Figures 1 and 17 of ISO/IEC 14443-3:2010 by inserting $t_{E,PICC}$ and $t_{E,PCD}$ (See the solid circles in JP Annex-1 and JP Annex-2). Insert the following NOTE after these Figures; "For $t_{E,PICC}$ / $t_{E,PCD}$, see 8.1."	Resolved by Replacing figures 1 and 17 including illustrations of $t_{E,PICC}$ from tepicc.vsd and adding the note after these figures
JP4	6.5.4	Table 1	ed	Table number is mistaken..	Replace "Table 1" by "Table 11".	Resolved by UK
JP5	6.5.4	Table 1	ed	This clause is revising Table 11 and is not one about EMD handling.	Add Note after the Table.	Resolved by changing the title

1 **MB** = Member body (enter the ISO 3166 two-letter country code, e.g. CN for China; comments from the ISO/CS editing unit are identified by **)

2 **Type of comment:** **ge** = general **te** = technical **ed** = editorial

NOTE Columns 1, 2, 4, 5 are compulsory.

1	2	(3)	4	5	(6)	(7)
MB¹	Clause No./ Subclause No./ Annex (e.g. 3.1)	Paragraph/ Figure/Table/ Note (e.g. Table 1)	Type of comment²	Comment (justification for change) by the MB	Proposed change by the MB	Secretariat observations on each comment submitted

[JP Annex-1] Timing for ISO/IEC 14443 Type-A

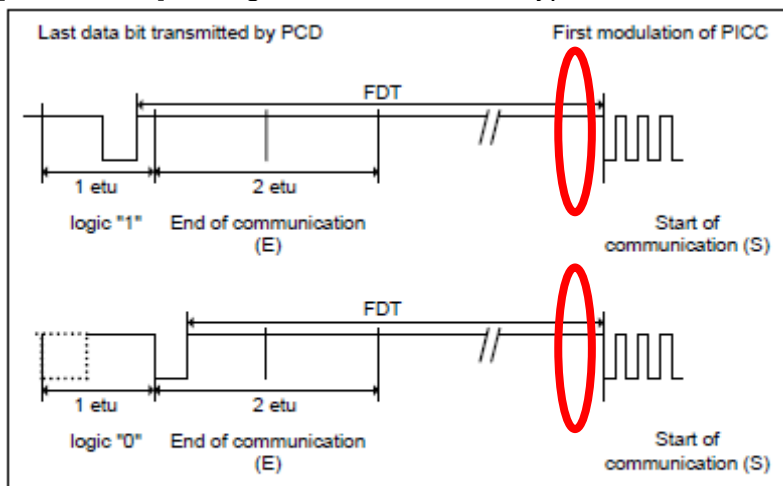


Figure 1 — Frame delay time PCD to PICC

1 **MB** = Member body (enter the ISO 3166 two-letter country code, e.g. CN for China; comments from the ISO/CS editing unit are identified by **)

2 **Type of comment:** **ge** = general **te** = technical **ed** = editorial

NOTE Columns 1, 2, 4, 5 are compulsory.

1	2	(3)	4	5	(6)	(7)
MB¹	Clause No./ Subclause No./ Annex (e.g. 3.1)	Paragraph/ Figure/Table/ Note (e.g. Table 1)	Type of comment²	Comment (justification for change) by the MB	Proposed change by the MB	Secretariat observations on each comment submitted

[JP Annex-2] Timing for ISO/IEC 14443 Type-B

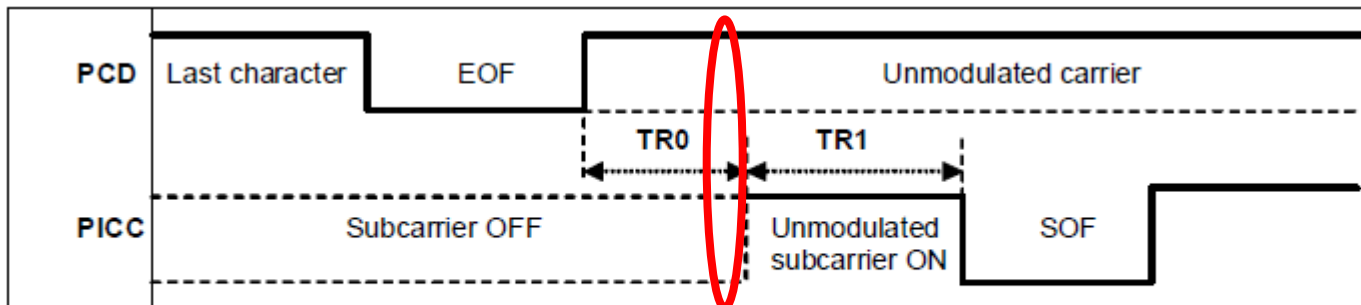


Figure 17 — Timing before the PICC SOF

1 **MB** = Member body (enter the ISO 3166 two-letter country code, e.g. CN for China; comments from the ISO/CS editing unit are identified by **)

2 **Type of comment:** **ge** = general **te** = technical **ed** = editorial

NOTE Columns 1, 2, 4, 5 are compulsory.

Template for comments and secretariat observations

Date: 15/03/10

ISO/IEC FCD14443-3_FPDAM4

1	2	(3)	4	5	(6)	(7)
MB¹	Clause No./ Subclause No./ Annex (e.g. 3.1)	Paragraph/ Figure/Table/ Note (e.g. Table 1)	Type of com- ment²	Comment (justification for change) by the MB	Proposed change by the MB	Secretariat observations on each comment submitted
UK1		Table 11	ed	Table numbering incorrect	Change table number to 11	Accepted
UK2	8.1	2 nd paragraph	ed	The use of minimum value implies that there are other possibilities when TR0 is less than 1024	Remove the word "minimum" from the second sentence	Accepted
UK3	8.1	5 th paragraph	ed	The use of minimum value implies that there are other possibilities when TR0 is less than 1044	Remove the word "minimum" from the second sentence	Accepted

1 **MB** = Member body (enter the ISO 3166 two-letter country code, e.g. CN for China; comments from the ISO/CS editing unit are identified by **)

2 **Type of comment:** **ge** = general **te** = technical **ed** = editorial

NOTE Columns 1, 2, 4, 5 are compulsory.

1	2	(3)	4	5	(6)	(7)
MB ¹	Clause No./ Subclause No./ Annex (e.g. 3.1)	Paragraph/ Figure/Table/ Note (e.g. Table 1)	Type of com- ment ²	Comment (justification for change) by the MB	Proposed change by the MB	Secretariat observations on each comment submitted
US	10 Electromag- netic Disturbance Levels	10.1 PCD Limits	T	The US understands that in response to its comments per document WG8 N1696, WG8 resolution incorrectly referenced the wrong amendment as follows: to: See ANSI comment resolution of 14443-2/Amd.4. When in fact, it should have directed the US to resolution 14443-2/Amd.3. Having that understanding resolved and the fact there is now an edited section 10 to 14443-2:2010 FPDAM3, the US removes its original comment.		Acknowledged

1 **MB** = Member body (enter the ISO 3166 two-letter country code, e.g. CN for China; comments from the ISO/CS editing unit are identified by **)

2 **Type of comment:** **ge** = general **te** = technical **ed** = editorial

NOTE Columns 1, 2, 4, 5 are compulsory.

Template for comments

Date: 2010-09-23

Document: **ISO/IEC 14443-3/FPDAM4**

1	2	(3)	4	5	(6)	(7)
MB¹	Clause No./ Subclause No./ Annex (e.g. 3.1)	Paragraph/ Figure/Table/ Note (e.g. Table 1)	Type of com- ment²	Comment (justification for change) by the MB	Proposed change by the MB	Proposed Editors Disposition
FR1	6.5.4	Table 1	ed	To emphasize the first row (uid0, description)	Use thicker horizontal line between first row and second row	accepted

1 **MB** = Member body (enter the ISO 3166 two-letter country code, e.g. CN for China; comments from the ISO/CS editing unit are identified by **)

2 **Type of comment:** **ge** = general **te** = technical **ed** = editorial – For technical comments, please indicate whether your comment is a MAJOR or MINOR technical comment.

NOTE Columns 1, 2, 4, 5 and 6 are compulsory.